

## ABRAZADERA SIN FIN - DIN 3017 - SERIE LIGERA 9mm

- WORM HOSE CLAMP
- COLLIERS À CRÉMAILLÈRES
- SCHNECKENGEWINDESCHLENNEN

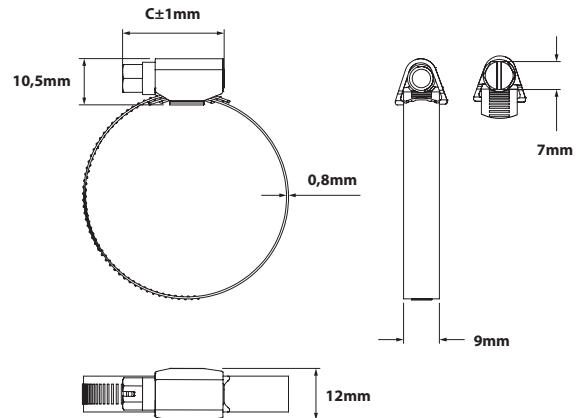


CAJA / BOX / BOÎTE

CAJA / BOX / BOÎTE				9mm SERIE LIGERA / LIGHT SERIES / LÉGERÈRE			
CÓDIGO Code / Code	CÓDIGO Code / Code	CÓDIGO Code / Code	CÓDIGO Code / Code	MEDIDA Measure / Mesure	MEDIDA Measure / Mesure	APERTURA Range / Ouverture Ø max. - Ø min	C m.m.
W1 W1	W2 W2	W4 W4	W5 W5	m.m.	Inch.	m.m.	m.m.
ABL1008	ABL2008	ABL4008	-	8-12	-	8-12	22,5 100
ABL1010	ABL2010	ABL4010	ABL5010	10-16	3/16	10-16	22,5 100
ABL1012	ABL2012	ABL4012	ABL5012	12-22	3/8	12-22	22,5 100
ABL1016	ABL2016	ABL4016	ABL5016	16-27	1/2	16-27	22,5 100
ABL1020	ABL2020	ABL4020	ABL5020	20-32	3/4	20-32	25,5 100
ABL1023	ABL2023	ABL4023	-	23-35	7/8	23-35	25,5 100
ABL1025	ABL2025	ABL4025	ABL5025	25-40	1"	25-40	25,5 100
ABL1030	ABL2030	ABL4030	ABL5030	30-45	1 1/4	30-45	25,5 50
ABL1032	ABL2032	ABL4032	ABL5032	32-50	1 1/2	32-50	25,5 50
ABL1040	ABL2040	ABL4040	ABL5040	40-60	1 3/4	40-60	25,5 50
ABL1050	ABL2050	ABL4050	ABL5050	50-70	2"	50-70	25,5 50
ABL1060	ABL2060	ABL4060	ABL5060	60-80	2 1/2	60-80	25,5 50
ABL1070	ABL2070	ABL4070	ABL5070	70-90	3"	70-90	25,5 50
ABL1080	ABL2080	ABL4080	ABL5080	80-100	-	80-100	25,5 50
ABL1090	ABL2090	ABL4090	-	90-110	4"	90-110	25,5 50
ABL1100	ABL2100	ABL4100	-	100-120	-	100-120	25,5 50
ABL1110	ABL2110	ABL4110	-	110-130	5"	110-130	25,5 50
ABL1120	ABL2120	ABL4120	-	120-140	-	120-140	25,5 50

AUTOSERVICIO / SELF-SERVICE / AUTO-SERVICE

CÓDIGO Code / Code	MEDIDA Measure / Mesure	APERTURA Range / Ouverture Ø max. - Ø min	W1	
	m.m.	m.m.		
BFABL10812	8-12	8-12	25	12
BFABL11016	10-16	10-16	25	12
BFABL11222	12-22	12-22	20	12
BFABL11627	16-27	16-27	15	12
BFABL12032	20-32	20-32	12	12
BFABL12335	23-35	23-35	10	12
BFABL12540	25-40	25-40	8	12
BFABL13250	32-50	32-50	5	12
BFABL14060	40-60	40-60	4	12
BFABL16080	60-80	60-80	3	12



PEDIDO MÍNIMO 1 EMBALAJE / MINIMUM ORDER 1 PACKAGING  
COMMANDE MINIMALE 1 EMBALLAGE / MINDESTBESTELLMENGE 1 VERPACKUNG

### CARACTERÍSTICAS Y VENTAJAS

- Abrazadera de cinta para manguera en acero cincado.
- Resistencia recomendada: **W1 - 3Nm, W2 - 3,5Nm, W4 - 4Nm, W5 - 4Nm.**
- El cabezal tiene un diseño compacto y el apriete es compatible con varias herramientas.
- Recomendado para el sector industrial y agrícola.

### CHARACTERISTICS AND ADVANTAGES

- Hose clamp in zinc plated steel.
- Recommended strength: **W1 - 3Nm, W2 - 3,5Nm, W4 - 4Nm, W5 - 4Nm.**
- The head has a compact design and the tightening is compatible with several tools.
- Recommended for the industrial and agricultural sector.

### CÓDIGO DE CALIDAD DEL MATERIAL UTILIZADO / QUALITY CODE OF THE MATERIAL USED

<b>W1</b>	- Totalmente en acero cincado / Fully zinc plated steel
<b>W2</b>	- Cinta y cabeza en acero inoxidable A-2 y tornillo en acero cincado / Band & head in stainless steel AISI 304 with zinc plated screw
<b>W4</b>	- Totalmente en acero inoxidable A-2 / Fully stainless steel AISI 304
<b>W5</b>	- Totalmente en acero inoxidable A-4 / Fully stainless steel AISI 316